



# F410

**HIGH PERFORMANCE**

**“Designed to achieve beautiful finishing. Delivering a thin and uniform paint film with the ability of a wide spraying pattern”.**

Well balanced body weighing only 415g.

Ergonomic curved grip.

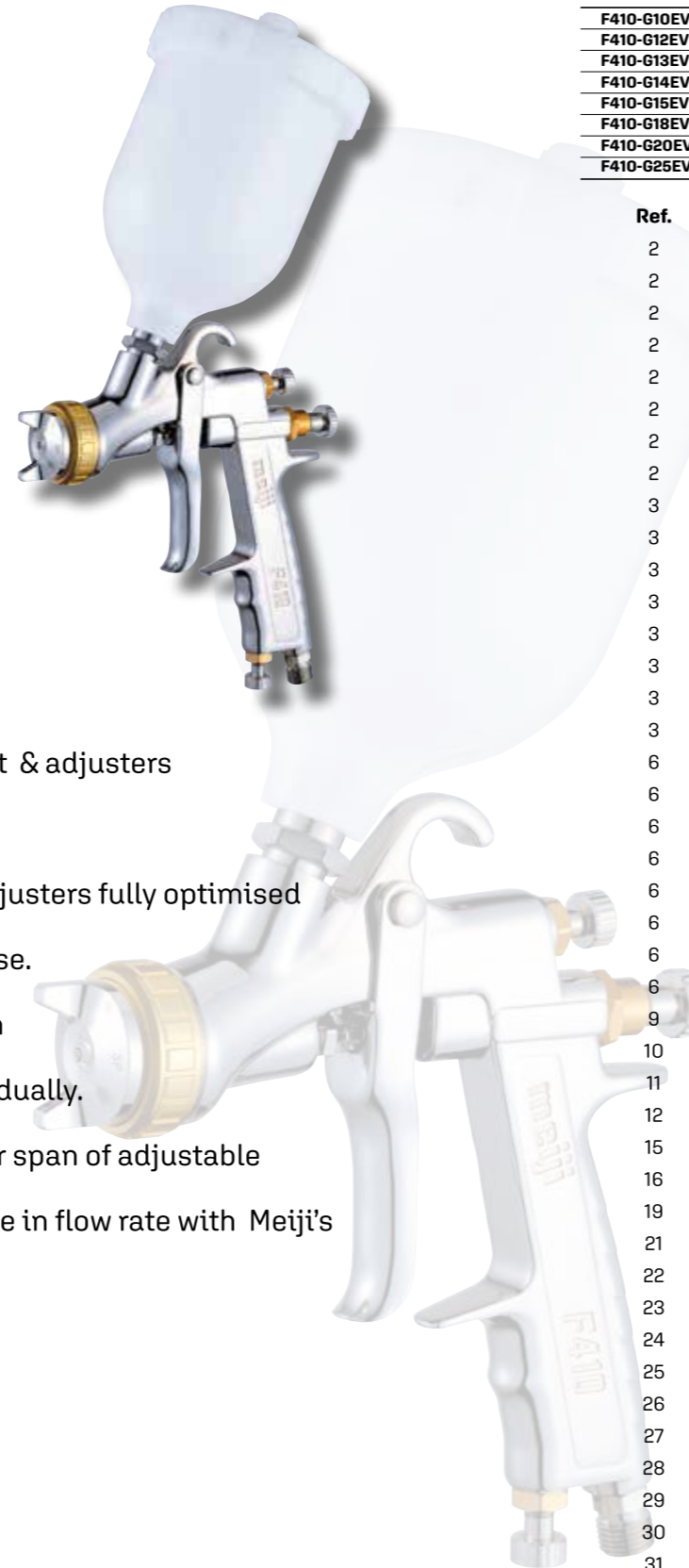
Reduction of trigger load with lower resistance packing.

Easy clean gun body with premium nickel plating

Stainless steel passage for water-borne compatibility.

Spray air pressure 36 PSI

CE and Atex certifications approved.



Stainless steel internals

Dirt resistant coating on air cap nut & adjusters

Spray air pressure 36 PSI

Air valve, needle packing & fluid adjusters fully optimised

Easy clean with removable head base.

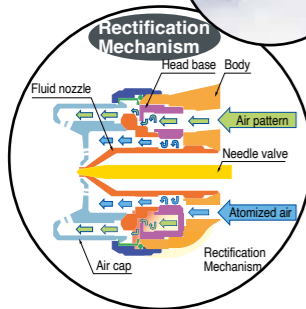
Unique air rectification mechanism

The fluid spraying volume rises gradually.

Accurate fine adjustment in a wider span of adjustable

range which prevents rapid increase in flow rate with Meiji's

traditional thread pitch of 0.75mm.



### 6CP

Gravity Paint Low Centre Cup  
600 ml Capacity  
Easy twist on & off  
Suitable for both Water & Solvent Based Paints  
Capacity Scale  
Leakage Prevention Mechanism  
Code: 2302951

### PPS Adaptor Types (Not manufactured or Supplied by Meiji)



3M PPS Series 1 Adaptor  
TYPE : 15  
3M Code: 16046



Etalon SPS Adaptor  
Code: SPS A2



3M PPS Series 2 Adaptor  
TYPE: 15  
3M Code: 26046

Model No.	Paint feed system	Nozzle bore mm(1/32)	Standard air cap	Spraying pressure MPa(PSI)	Spraying distance mm	Air consumption L/min(cfm)	Paint spraying volume mL/min	Maximum effective pattern width mm	Pattern shape	Connection inlet	Weight g	Standard paint cup
F410-G10EV	Gravity	1.0	10EV	0.25 (36)	250	270(9.5)	115	200	Tulip	For air G1/4 For paint G3/8	415	6CP
F410-G12EV		1.2	12EV			270(9.5)	160	220				
F410-G13EV		1.3	13EV			280(9.9)	190	240				
F410-G14EV		1.4	14EV			290(10.2)	205	245				
F410-G15EV		1.5	15EV			300(10.6)	235	250				
F410-G18EV		1.8	18EV			325(11.5)	295	285				
F410-G20EV		2.0	20EV			340(12.0)	315	330				
F410-G25EV		2.5	25EV			390(13.8)	385	340				

Ref.	Code	Description	PER UNIT
2	417775	FLUID NOZZLE 010	1
2	417613	FLUID NOZZLE 012	(1)
2	418062	FLUID NOZZLE 013	(1)
2	418063	FLUID NOZZLE 014	(1)
2	417382	FLUID NOZZLE 015	(1)
2	418064	FLUID NOZZLE 018	(1)
2	417614	FLUID NOZZLE 020	(1)
2	417615	FLUID NOZZLE 025	(1)
3	419424	AIR CAP SET 10EV	1
3	418875	AIR CAP SET 12EV	(1)
3	419425	AIR CAP SET 13EV	(1)
3	419426	AIR CAP SET 14EV	(1)
3	418876	AIR CAP SET 15EV	(1)
3	419427	AIR CAP SET 18EV	(1)
3	418877	AIR CAP SET 20EV	(1)
3	419258	AIR CAP SET 25EV	(1)
6	418066	NEEDLE VALVE SET 10	1
6	417654	NEEDLE VALVE SET 12	1
6	418067	NEEDLE VALVE SET 13	(1)
6	418068	NEEDLE VALVE SET 14	(1)
6	417384	NEEDLE VALVE SET 15	(1)
6	418069	NEEDLE VALVE SET 18	(1)
6	417616	NEEDLE VALVE SET 20	(1)
6	417617	NEEDLE VALVE SET 25	(1)
9	416436	NEEDLE SPRING	1
10	417385	TRIGGER	1
11	409376	TRIGGER BEARING STUD	1
12	400396	TRIGGER BEARING SCREW	1
15	418309	AIR ADJUSTING VALVE SET	1
16	418084	PATTERN ADJUSTING VALVE SET	1
19	416456	U-PACKING P5	2
21	417386	TRIGGER PUSHER	1
22	416445	NEEDLE PACKING SCREW	1
23	416446	SLEEVE	1
24	418311	FLUID ADJUSTING SCREW	1
25	416454	PACKING PUSH SPRING	1
26	416451	AIR VALVE	1
27	416660	VALVE SPRING	1
28	416918	PACKING GUIDE	1
29	416919	O-RING PUSHER	2
30	418080	NEEDLE CYLINDER	1
31	416457	VALVE SHEET	1
32	416455	O-RING S10 GMORSV7533AA	1
33	414773	NIPPLE 1/4 X M11 AL	1
34	418086	NIPPLE 3/8	1
36	418087	HEAD BASE	1

