



# Finer-core

“The evolution of spray guns , designed by front-line professionals without compromise” .

### Flat Pattern Control

Utilizing the know-how we have cultivated over the years, we have adopted flat pattern control (a standard specification for CORE) that minimizes unevenness by positioning the secondary holes of the spray gun optimally, increasing the holes, and arranging them at an angle.

### High-Atomization Technology

#### MMFT

#### Meiji Micro Fine Technology

Unique high-atomization technology accelerates atomization under low pressure by controlling the air at multiple levels, feeding it efficiently to the opening, and atomizing it through the thinly shaped structure.

### Dynamic Chamber

We made the air circuit as large as possible while seeking to reduce its body size.

Combined with separate head bases that have our company's unique and special shapes, we have achieved more air volume than that of larger guns.

The formation of the high-atomization wide pattern has been made possible by providing a stable air flow to the opening.

### Optimized Spray Paint Volume

Unique 0.75mm thread pitch to prevent sudden flow increases

### Patented Design - Low Resistance & Durability

The initial leakage limit is 500,000 times.

Re-tightening can be carried out 1 Million times

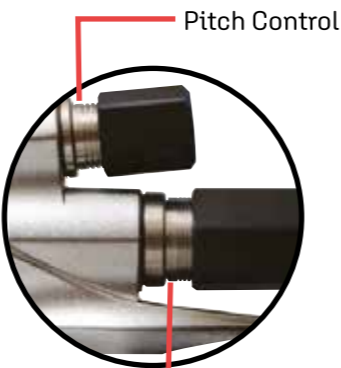
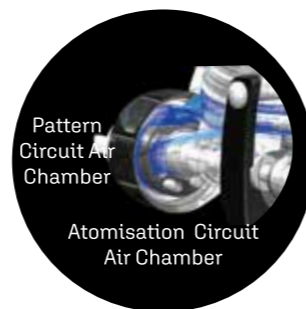
The sleeve and soft packing gives low-resistance structure which is less likely to affect the sliding of the needle when re-tightening.

Reduced trigger load structure with low pass resistance to eliminate rapid pressure fluctuations.

Automatic valve extension - low resistance U packing - the casing follows the movement of the air valve reducing uneven wear on the cartridge type packing.

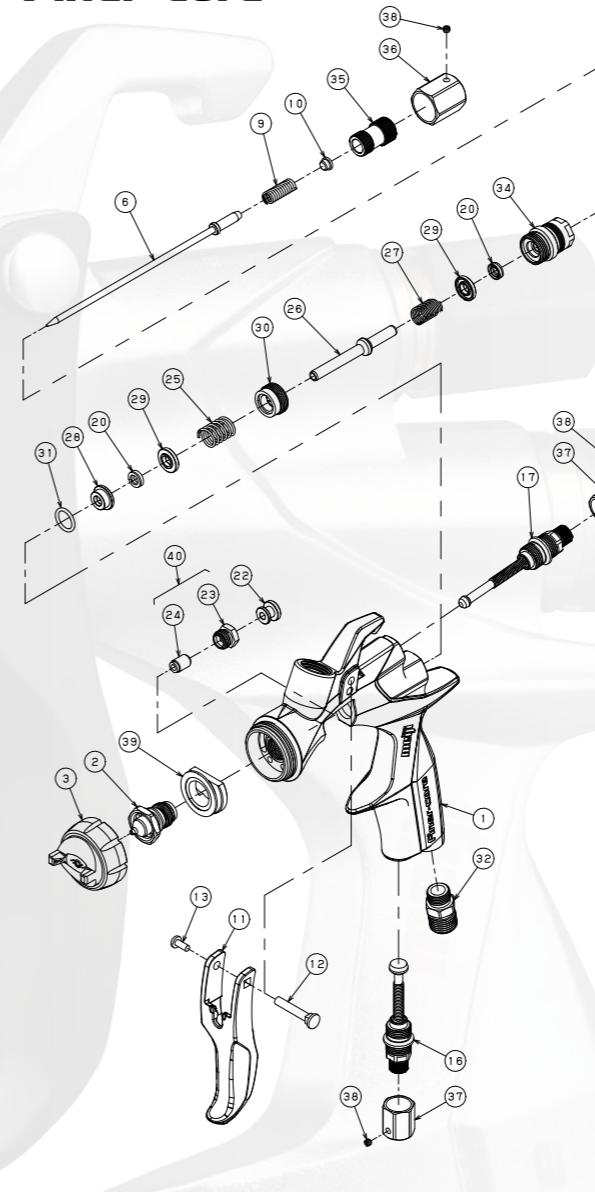


3D Air Injection Air Cap  
Multi Stage Air Control Fluid Nozzle



Visual Scale

## Finer-core



Ref.	Code	Description	Per Unit
2	421098	FLUID NOZZLE 13	1
2	421072	FLUID NOZZLE 15	(1)
3	421200	AIR CAP SET	1
3	421201	HVLP AIR CAP SET	(1)
6	421085		1
9	416436	NEEDLE VALVE SET	1
10	418210	SPRING INSERT	1
11	421075	TRIGGER	1
12	420294	TRIGGER BEARING STUD (RESIN)	1
13	400358	TRIGGER BEARING SCREW	1
16	421086	AIR ADJUSTING VALVE SET	1
17	421090	SPREADER ADJUSTING VALVE SET	1
20	416456	U-PACKING P5	2
22	416912	TRIGGER PUSHER	1
23	416445	NEEDLE PACKING SCREW	1
24	416446	SLEEVE	1
25	416454	PACKING PUSH SPRING	1
26	416451	AIR VALVE	1
27	416660	VALVE SPRING	1
28	416452	PACKING GUIDE	1
29	416453	O-RING PUSH	2
30	416457	VALVE SHEET	1
31	416455	O-RING S10 GMORSV7533AA	1
32	421126	NIPPLE 1/4 X M11 AL (EXP)	1
34	421079	NEEDLE CYLINDER	1
35	421081	FLUID ADJUSTING SCREW	1
36	421082	FLUID ADJUSTING SCREW COVER	1
37	421083	ADJUSTING SCREW COVER	2
38	421124	HEXAGON SET SCREW M3X2.5 SUS BLACK	3
39	421074	HEAD BASE (WITH PARALLEL PIN)	1
40	418076	NEEDLE PACKING SCREW SET	1

Model	Paint feed system	Nozzle bore mm (in)	Air cap style	Spraying pressure inside the air cap MPa(PSI)	Spraying distance mm(in)L	Air consumption /min(cfm)m	Paint spraying volume L/min	Maximum effective pattern width mm(in)	Pattern shape	Required compressor output kW	Weight g (lbs)(oz)	Standard paint cup
FINER-CORE-13	Gravity	1.3(0.051)	FINER-CORE	0.2(29)	200(7.874)	300(10.6)	170	280(11.024)	Tulip	1.5 or more	340	6CP
FINER-CORE-15		1.5(0.059)					200	300(11.811)			(0.75)(11.9)	
FINER-CORE-HVLP-13	Gravity	1.3(0.051)	FINER-CORE-HVLP	0.18 (0.07)	200(7.874)	380(13.4)	135	280(11.024)	Tulip	1.5 or more	340	6CP
FINER-CORE-HVLP-15		1.5(0.059)					155	300(11.811)			(0.75)(11.9)	



### 6CP

Gravity Paint Low Centre Cup  
600 ml Capacity  
Easy twist on & off  
Suitable for both Water & Solvent Based Paints  
Capacity Scale  
Leakage Prevention Mechanism  
Code: 2302951

### PPS Adaptor Types (Not manufactured or Supplied by Meiji)



3M PPS Series 1 Adaptor  
TYPE : 15  
3M Code: 16046



Etalon SPS Adaptor  
Code: SPS A2



3M PPS Series 2 Adaptor  
TYPE: 15  
3M Code: 26046