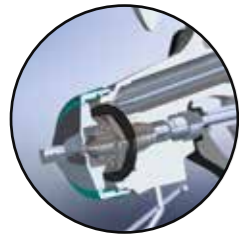


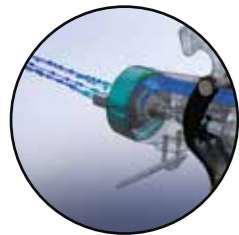


Finer-force Pressure

Patented High atomization mechanism (MMFT) is adopted for this pressure gun. A light weight compact bodied gun with optimal atomization only requiring a small amount of air despite its wide pattern.

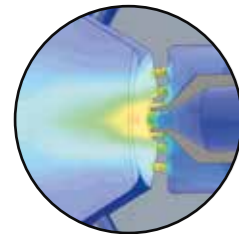


Stable Spray Pattern
High Transfer Efficiency
Heavy Duty
Excellent Handling



Optimum body circuit design

Meiji visualized the velocity of moving fluid and pressure loss in the body and air circuit by using CAE (fluid analysis), and designed a new optimum air circuit to achieve an air circuit with less pressure



Optimal design around the nozzle

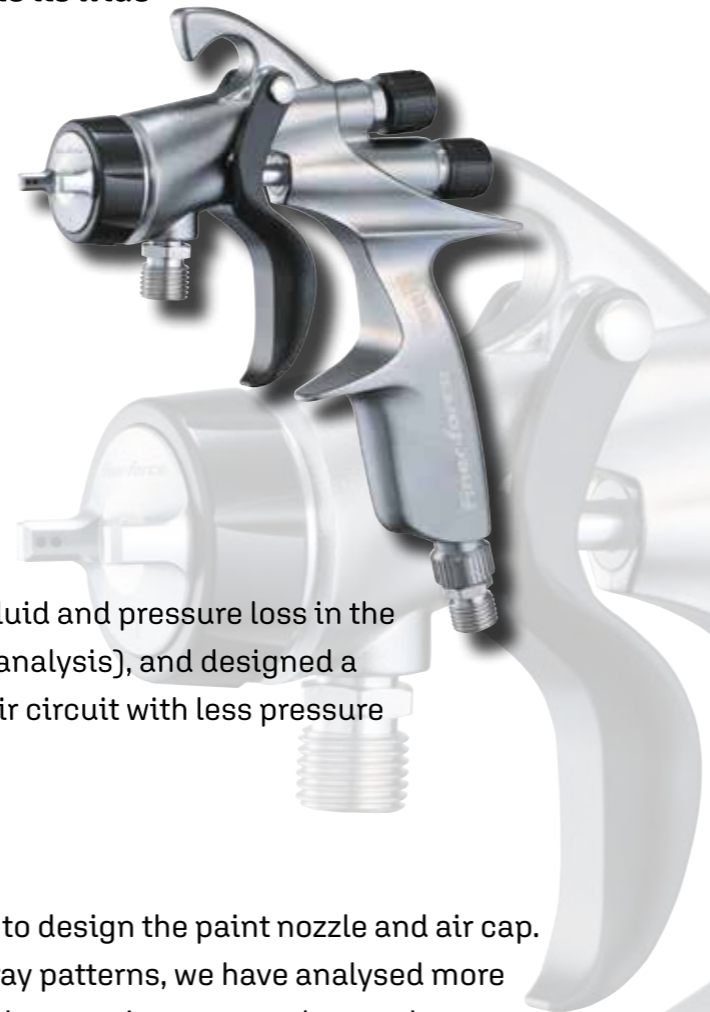
CAE (fluid analysis) has also been used to design the paint nozzle and air cap. To obtain optimum atomization and spray patterns, we have analysed more than 100 nozzle cap shapes and adopted a superior new nozzle cap shape.



Needle Packing - low-resistance structure and highly durable design

With an initial leakage limit of 500,000 times, durability can be increased to one million times by re-tightening.

The sleeve and soft packing give it a low-resistance structure which is less likely to affect the sliding of the needle after re-tightening.



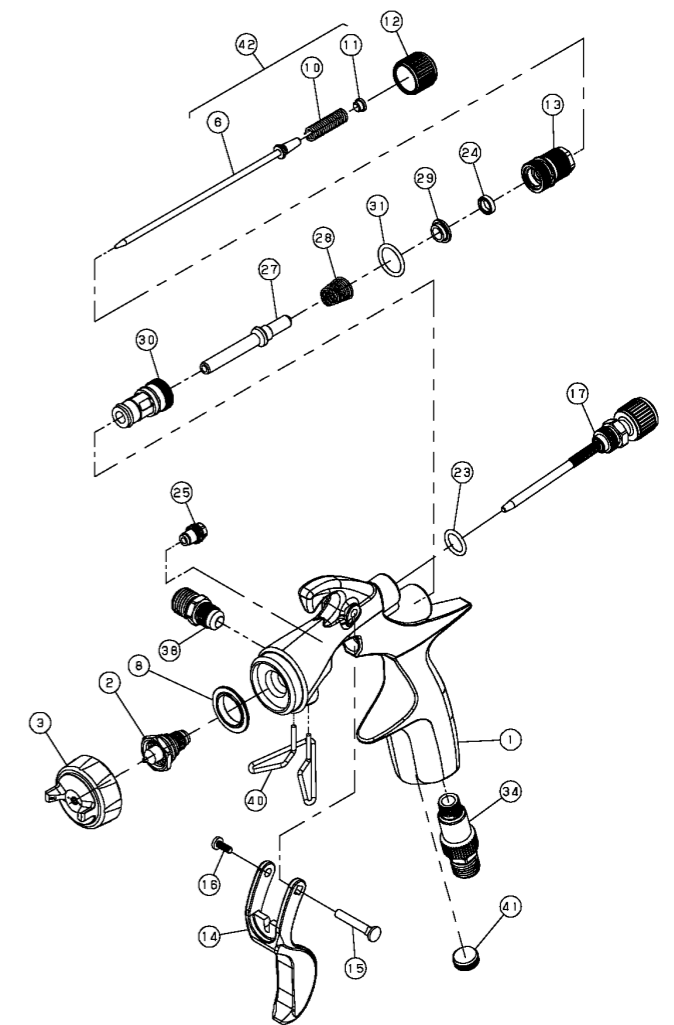
FINER-FORCE-P Series

Model No.	Paint feed system	Nozzle bore mm	Standard air cap	Spraying pressure MPa(PSI)	Spraying distance mm	Air consumption L/min(cfm)	Paint spraying volume mL/min	Maximum effective pattern width mm	Pattern shape	Required compressor output kW	Weight g	Standard paint cup
FINER-FORCE-P08	Pressure	0.8	Type P	0.2(29)	200	220(7.8)	185	220	Tulip	1.5 or more	325	Pressure feed Diaphragm pump, Suction Cup
FINER-FORCE-P10		1.0				220(7.8)	255	270				
FINER-FORCE-P13		1.3				200(7.1)	345	320				

Feed pressure should be 0.08MPa (12PSI) for Pressure fed.
Air and paint inlet : G1/4

Ref.	Code	Description	PER UNIT
2	416842	FLUID NOZZLE 008	1
2	416813	FLUID NOZZLE 010	1
2	416814	FLUID NOZZLE 013	1
3	421544	AIR CAP SET P TYPE	1
6	421437	NEEDLE VALVE SET 08	1
6	421438	NEEDLE VALVE SET 10	1
6	421439	NEEDLE VALVE SET 13	1
8	421024	BAFFLE PLATE	1
10	421410	NEEDLE SPRING	1
11	418210	SPRING INSERT	1
12	421436	FLUID ADJUSTING SCREW P TYPE	1
13	421028	NEEDLE CYLINDER	1
14	421029	TRIGGER	1
15	420294	TRIGGER BEARING STUD	1
16	400358	TRIGGER BEARING SCREW	1
17	421434	SPREADER ADJUSTING VALVE	1
23	416455	O-RING S10 GMORSV7533AA	1
24	421033	U-PACKING P6	1
25	421249	NEEDLE PACKING SCREW SET	1
27	421035	AIR VALVE	1
28	421036	AIR VALVE SCREW	1
29	421037	TRIGGER STOPPER	1
30	421248	VALVE SHEET SET	1
31	421040	O-RING S12.5 FKM	1
34	421155	AIR ADJUSTING VALVE SET	1
38	421046	NIPPLE 1/4 X M11G	1
41	421048	HEXAGON SET SCREW M12X1	1
42	421545	NEEDLE VALVE SPRING SET 08	1
42	421546	NEEDLE VALVE SPRING SET 10	1
42	421547	NEEDLE VALVE SPRING SET 13	1
99	421127	RING SET	1

Finer-force Pressure



AN-023

Fluid Adapter is available to convert G 1/4 to G 3/8
Code: MJ-400249

Finer-force pressure guns are designed for use with Meiji and other leading marques of remote paint pressure feed tanks and diaphragm paint pumps.